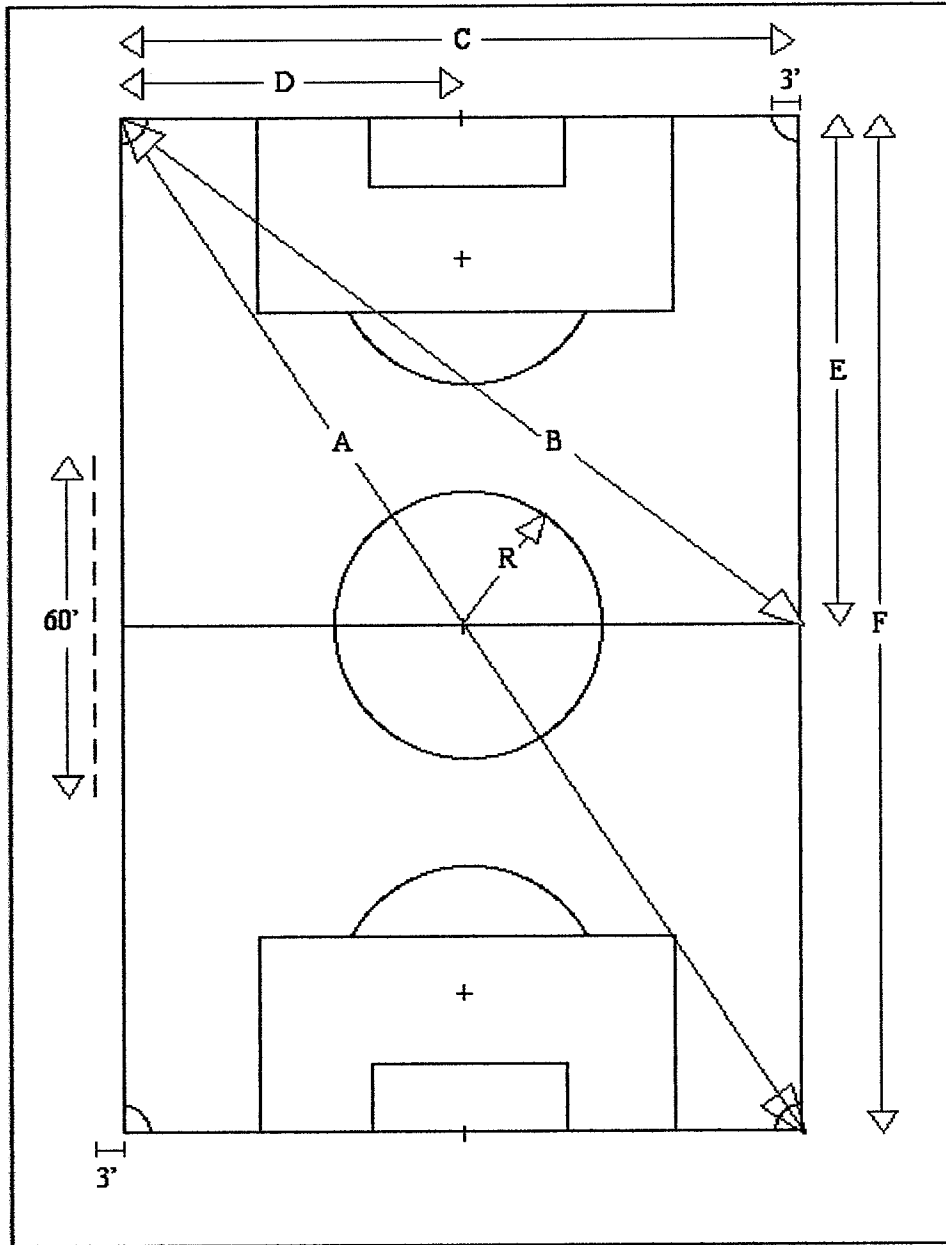


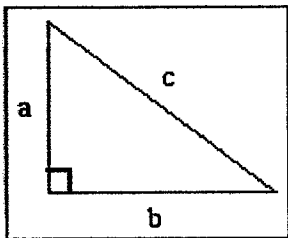
Medium and Full-Size Soccer Fields



Field size (yards)	60x40	80x50	100x70
C	120'	150'	210'
D	60'	75'	105'
E	90'	120'	150'
F	180'	240'	300'
A	216'4"	283'	366'2"
B	150'	192'	258'1"
R	24'	30'	30'

Corner Arcs Radius: 3'
 'Technical Line' (broken): 60' long, 3'
 from touch line
 (on both sides of the field)

On the largest field, the triangulation is to the halfway line because our measuring tapes don't exceed 300 feet.

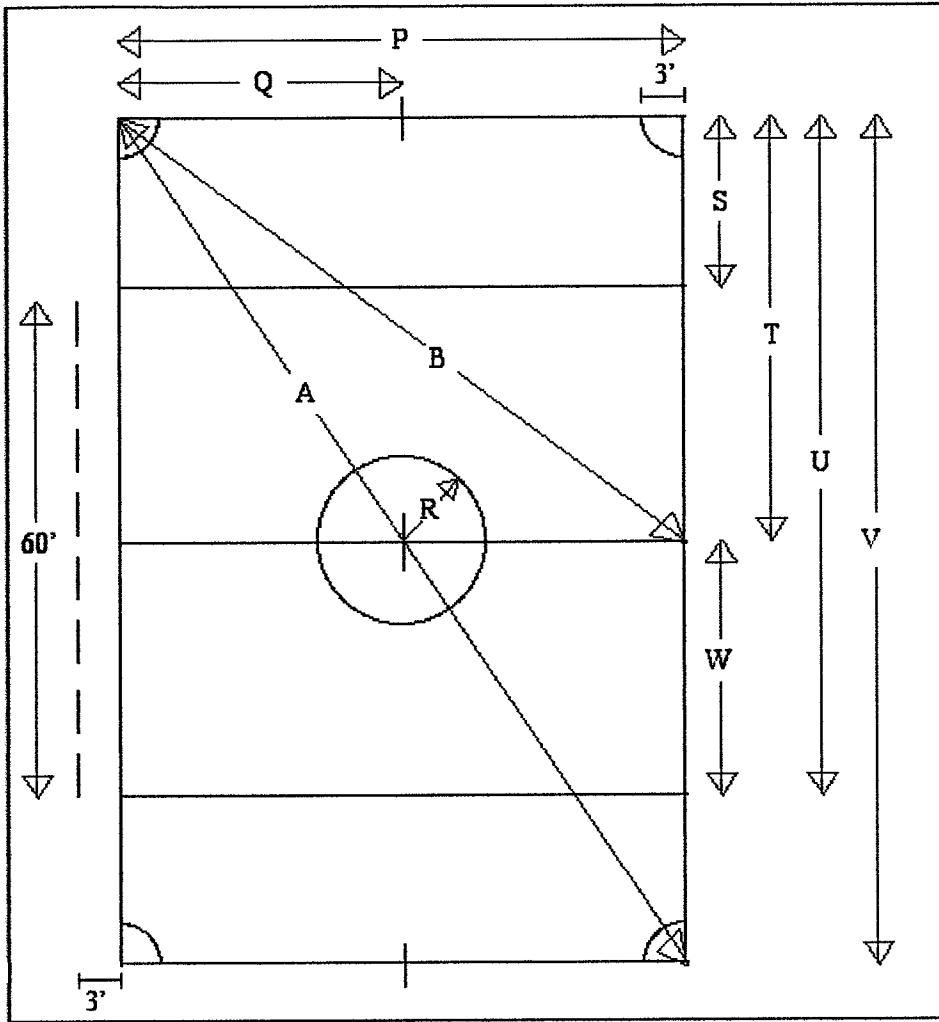


Field conditions like anchored goals or encroaching baseball diamonds may dictate field size. Use Pythagoras' theorem to recalculate the diagonals you'll need for triangulation. Bring a calculator with a square root function when you're surveying.

$$a^2 + b^2 = c^2$$

Though the width and length of fields may vary, the inner dimensions (penalty area size etc.) should be standard.

Small Soccer Fields

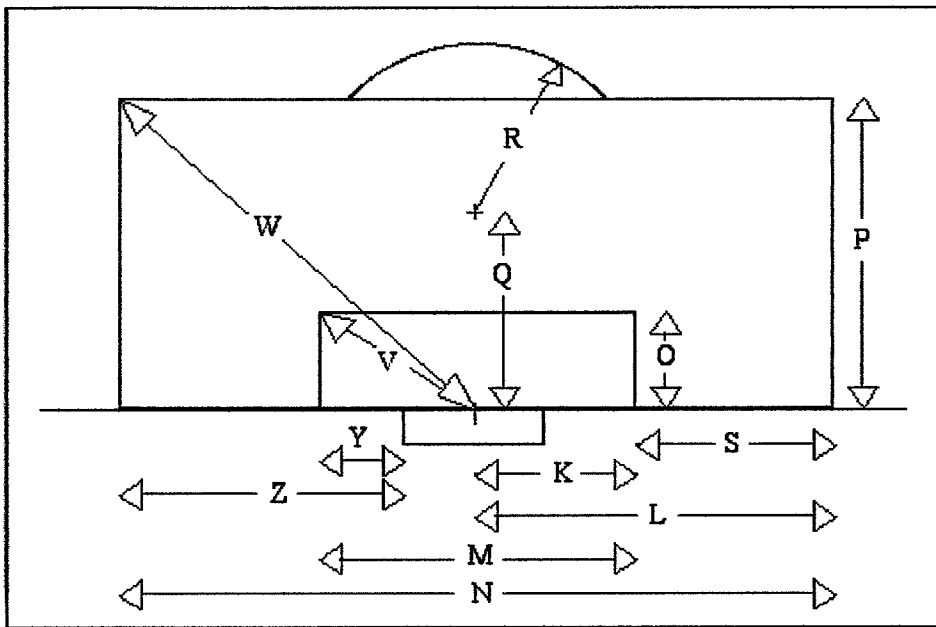


Field size (yards) 30x20 35x25 45x30

Field size (yards)	30x20	35x25	45x30
P	60'	75'	90'
A	108'2"	129'	162'3"
V	90'	105'	135'
P	60'	75'	90'
Q	30'	37'6"	45'
A	108'2"	129'	162'3"
B	75'	91'6"	112'6"
S	18'	21'	24'
T	45'	52'6"	67'6"
U	72'	84'	111'
V	90'	105'	135'
W	27'	31'6"	43'6"
R	9'	10'6"	12'

Corner Arc Radius: 3'
 'Technical Line' (broken) - 60' long, 3'
 from touch line
 (on both sides of the field)

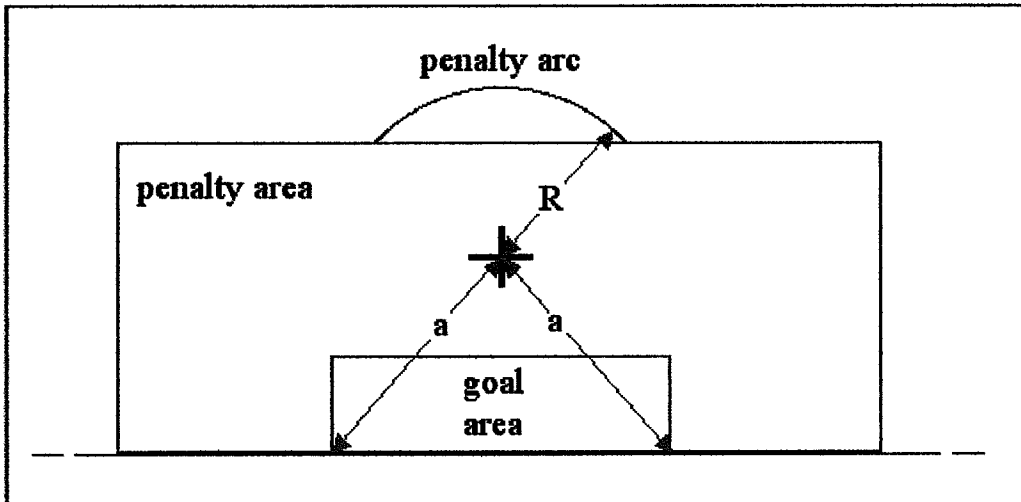
The Penalty Area in Detail



Y and Z may be useful in fields with anchored goals. Measure from the inside of the goal posts.

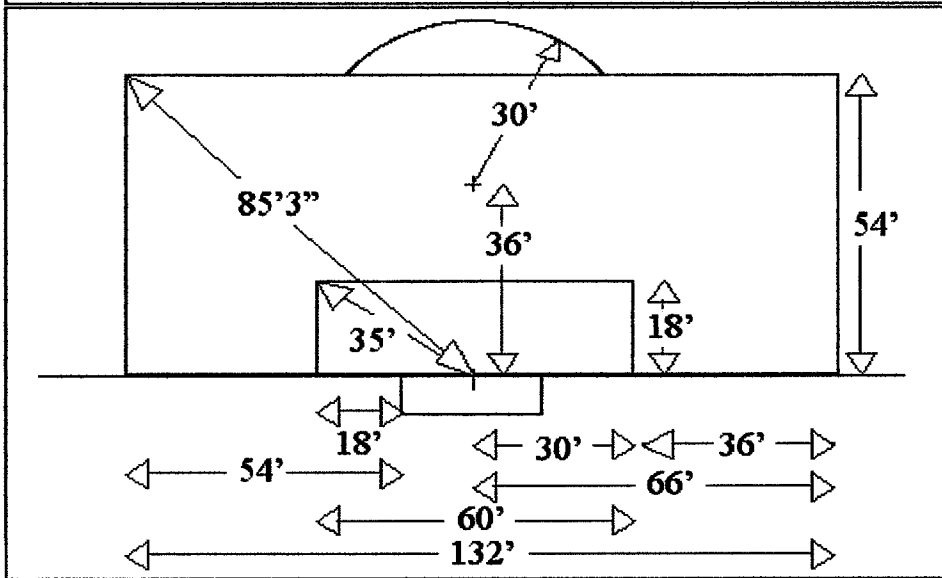
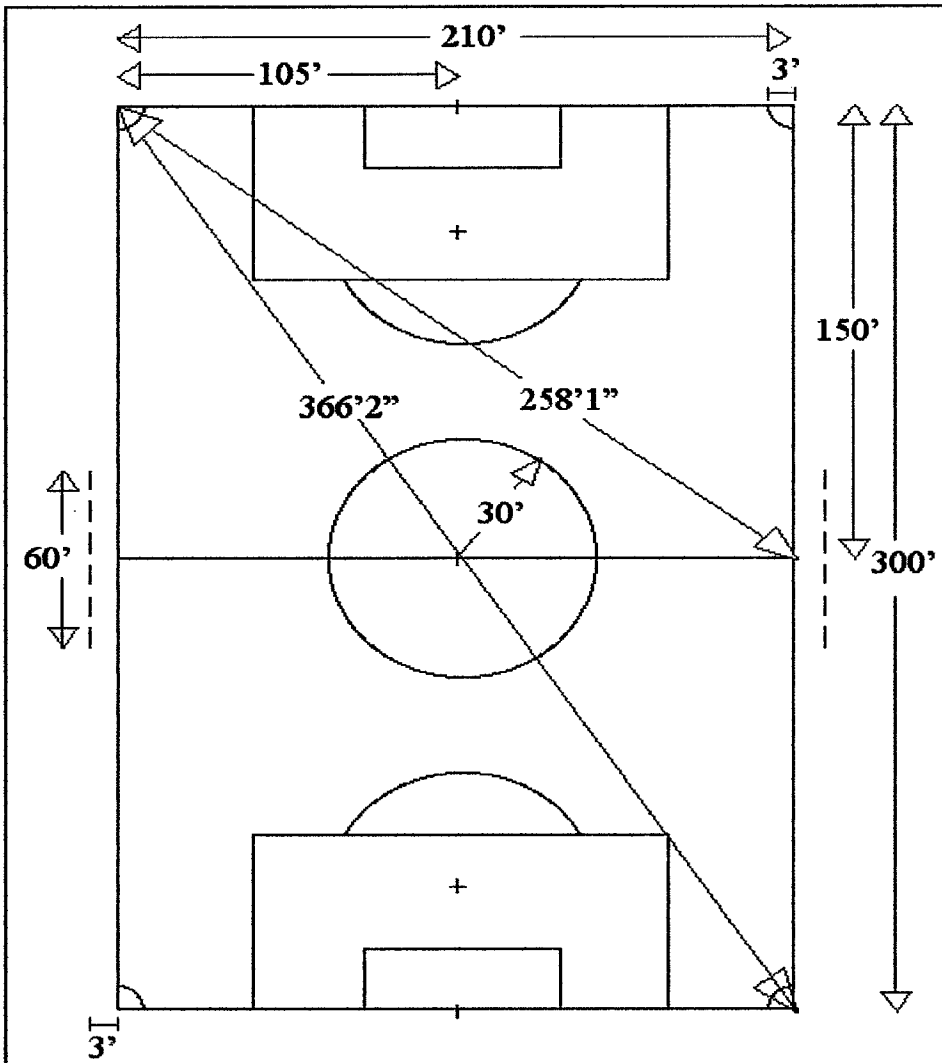
Field size (yards)	60x40	80x50	100x70
K	18'	27'	30'
L	36'	48'	66'
M	36'	54'	60'
N	72'	96'	132'
O	12'	18'	18'
P	36'	45'	54'
Q	24'	30'	36'
R	24'	30'	30'
S	18'	21'	36'
V	21'8"	32'5"	35'
W	50'11"	65'10"	85'3"
Y		18'	
Z		54'	

Penalty Spot Repair

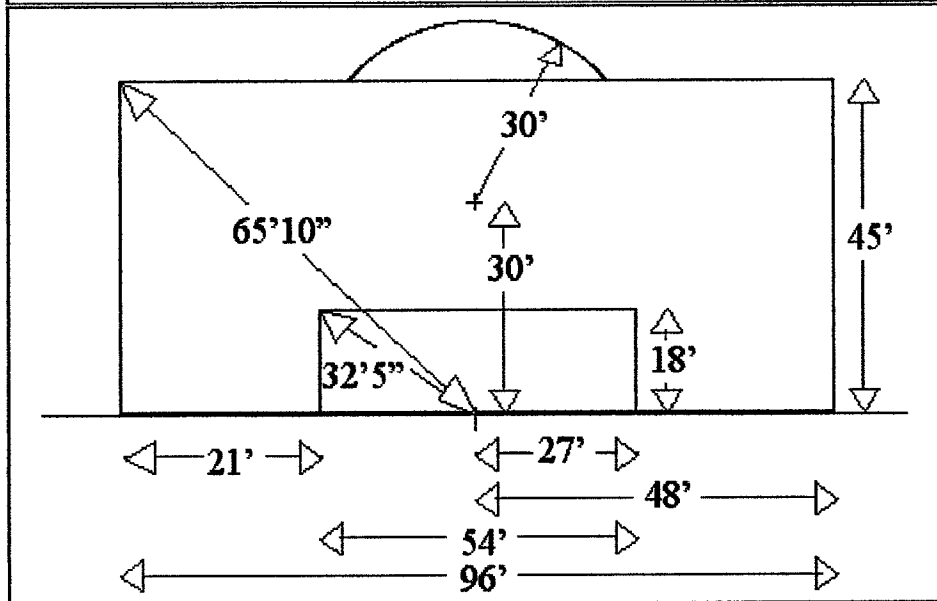
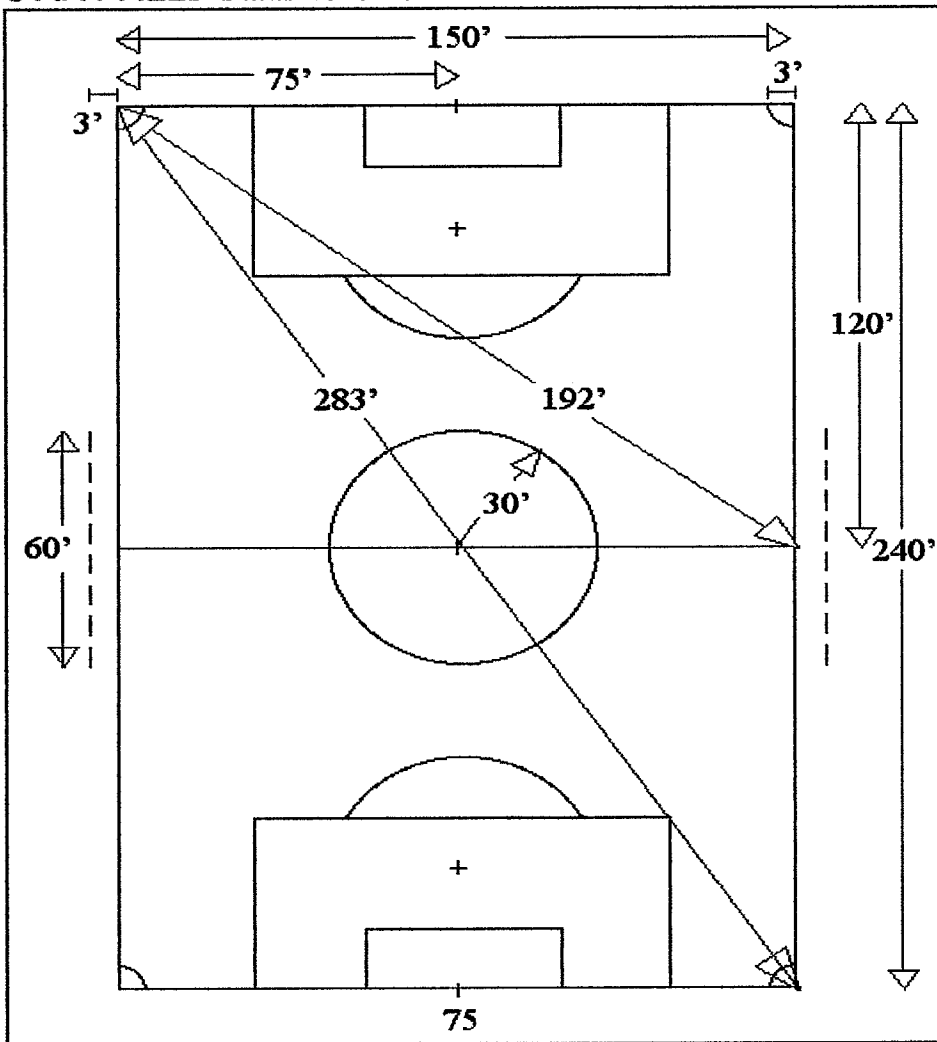


Field size (yards)	60x40	80x50	100x70
a	30'	40'4"	46'11"
R	24'	30'	30'

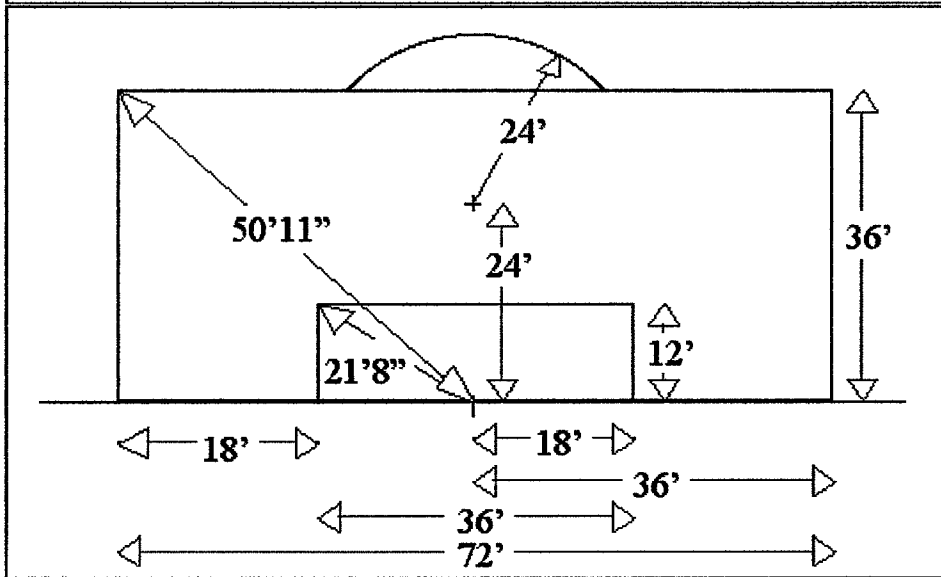
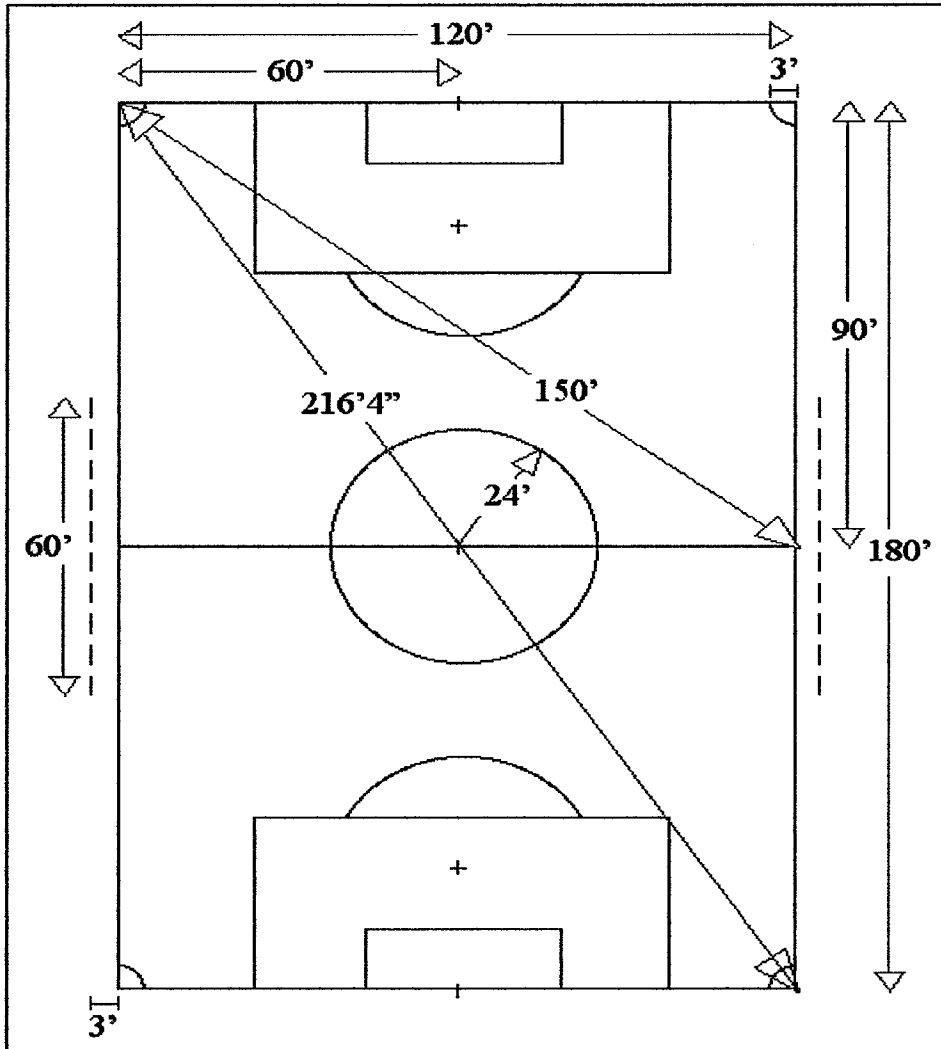
U16/U18 FIELD DIMENSIONS



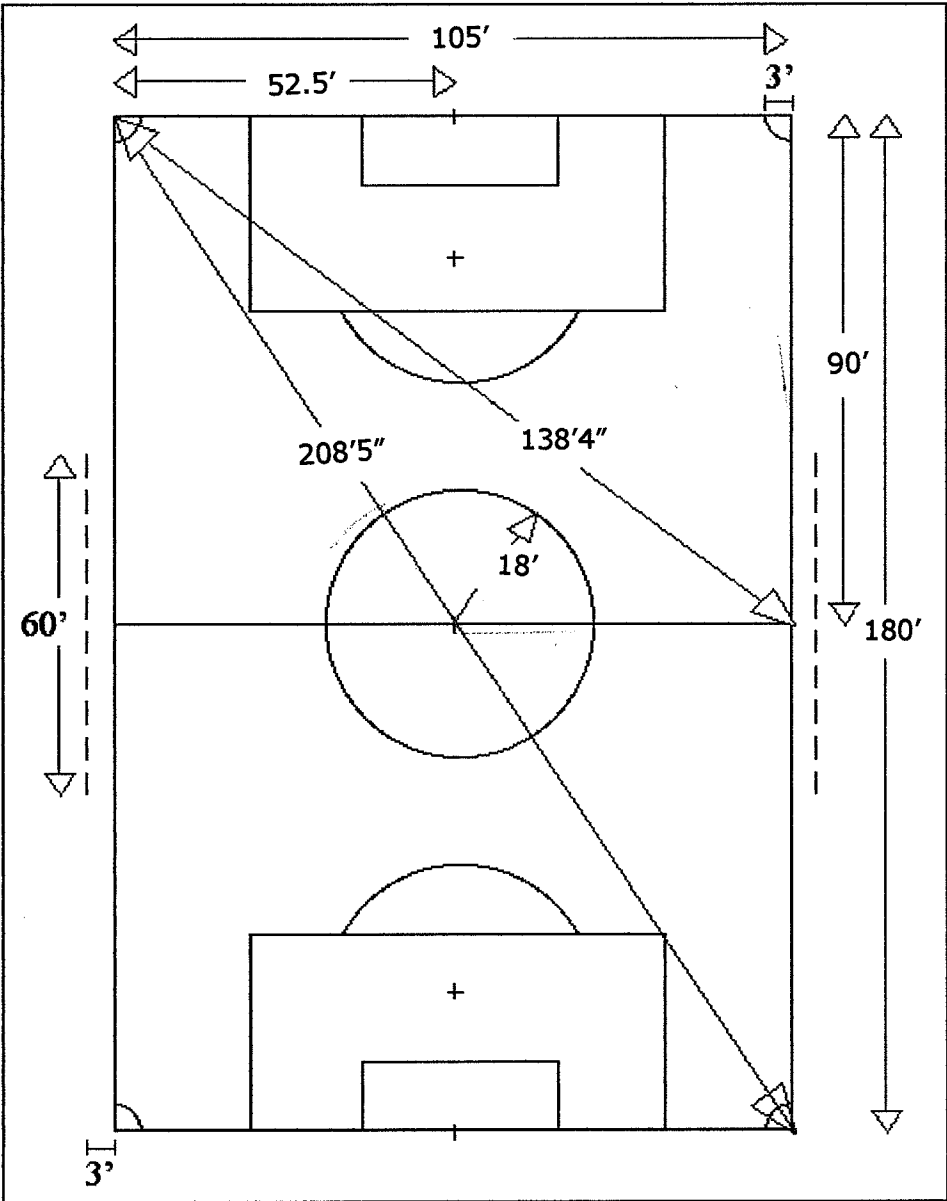
U14/16 FIELD DIMENSIONS



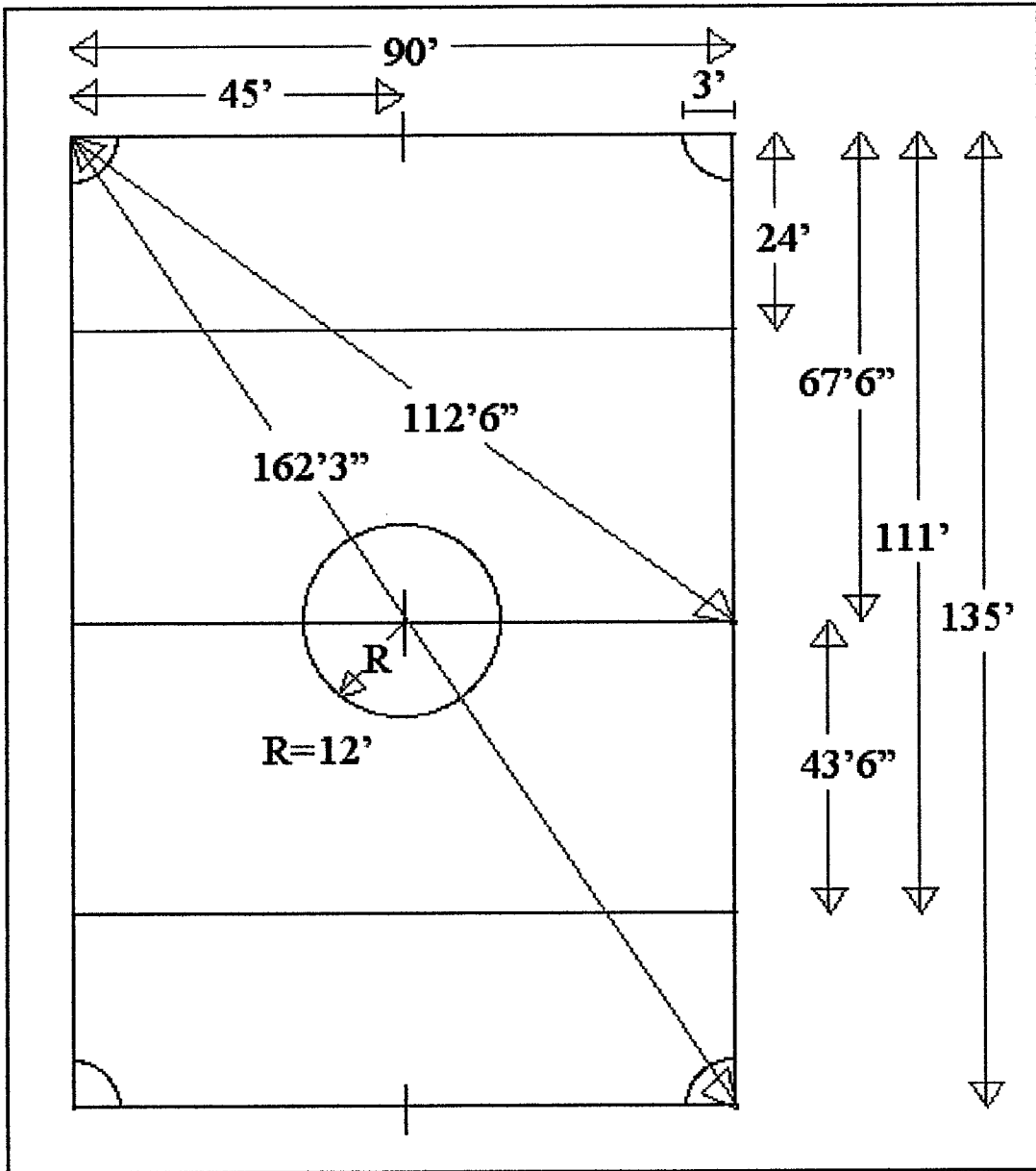
U10/U12 FIELD DIMENSIONS



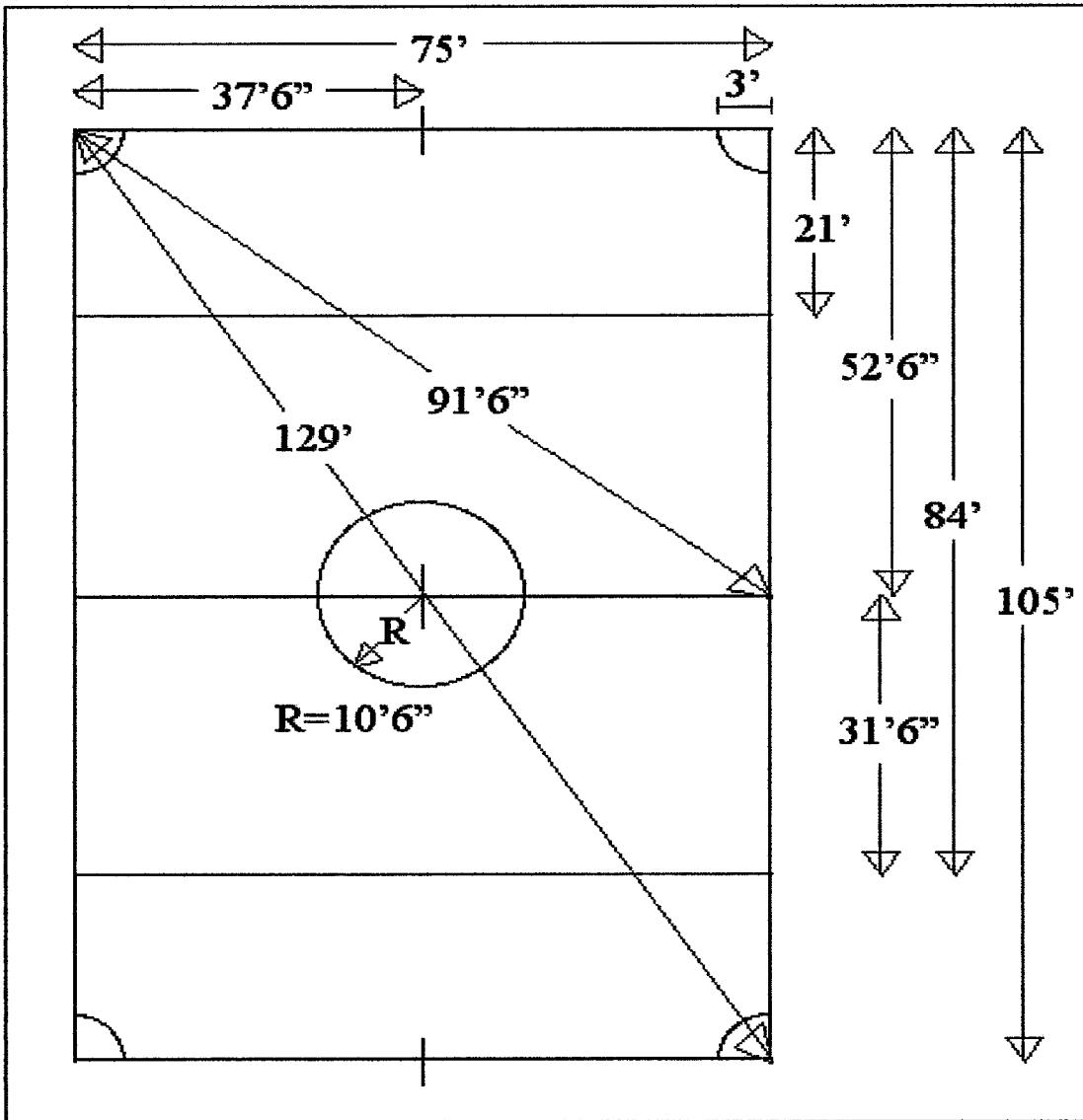
U10 FIELD DIMENSIONS



U8 FIELD DIMENSIONS



U6 FIELD DIMENSIONS



U4/5 FIELD DIMENSIONS

